

KP14 - Film Foil Polypropylene Axial Capacitors

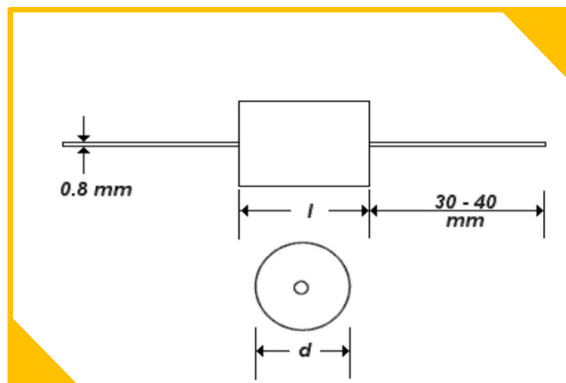
Features

- **Oil Impregnated** – Very low loss polypropylene
- **Dielectric** - Polypropylene
- **Electrode** - Aluminium Foil
- **Coil** - Non inductively wound, Extended Foil
- **Leads** - Axial tinned copper wires
- **Construction** - Moulded plastic tube, resin filled
- **Markings** - El-Ci-Ar logo, Capacitance, Voltage, Type
- **Capacitor Tolerance** - 20% (M), 10% (K), 5% (J)
- **Dissipation Factor** ≤ 0.001 at 1KHz at 25°C (Typical 0.0004)
- **Test Voltage** - $2.5 \times V_r$ for 2 sec
- **Max Pulse Rise** - $1000V/\mu s$
- **Temperature Range** from $-55^\circ C$ to $+105^\circ C$



Application

- High Frequency Circuits
- High dv/dt applications like snubbers across MOSFETS in SMPS and UPS
- Resonant Capacitor in Electronic ballasts
- Ac motor speed control



Value (uF)	VDC	VAC (RMS)	D (mm)	L (mm)
47nF	1,000	440	12	23
68nF	1,000	440	12	23
100nF	1,000	440	15	23
220nF	1,000	440	17	34
470nF	1,000	440	19	42
1uF	1,000	440	25	55
10nF	1,200	500	12	23
100nF	1,200	500	15	23
470nF	1,200	500	19	42
1uF	1,200	500	25	55
47nF	1,500	600	15	23
10nF	2,000	650	12	23
47nF	2,000	650	15	23
100nF	2,000	650	17	33
220nF	2,000	650	25	55
470nF	2,000	650	32	55
100nF	2,500	700	19	35
220nF	2,500	700	25	55
470nF	2,500	700	32	55
2uF	2,500	700	60	95
33nF	5,000	1,500	22	55
68nF	5,000	1,500	32	55
100nF	5,000	1,500	32	55
100nF	10,000	2,000	48	95
220nF	10,000	2,000	72	95
1.5uF	10,000	2,000	90	95
1nF	12,000	3,000	19	56
5nF	12,000	3,000	32	56
10nF	12,000	3,000	32	56
50nF	12,000	3,000	42	70
100nF	12,000	3,000	48	95
220nF	12,000	3,000	72	95

Tube length (L) less than 54 mm wire lead Dia = 0.8 mm
 Tube length (L) b/w 54 mm and 94mm wire lead Dia = 1.0 mm
 Tube length (L) greater than 94mm braided copper wire 1.2mm x 2

Custom Values are also available on request.