

MPC SERIES

Other similar models formerly know as HPC, HHPC & HMPC have been grouped together in MPC series



TECHNICAL SPECIFICATIONS

TYPE		MPC			
TERMINAL TYPE		Plug In			
CONTACT CONFIGURATION		1C / 2C / 3C			
RATED CARRYING CURRENT (RESISTIVE) AT 24 VDC / 250 VAC		5A	10A	12A	16A
CONTACT MATERIAL		Silver alloy			
INITIAL CONTACT RESISTANCE		0.050 Ω			
COIL NOMINAL VOLTAGES	DC	6-250 V		6-220 V	
	AC	6-400 V			
OPERATING POWER (MIN-MAX) FOR DC COIL		0.72 - 1.25 W		1.20 - 1.25 W	
OPERATING POWER (MIN-MAX) FOR AC COIL		1.92 - 2.43 VA		2.42 - 3.60 VA	
DIELECTRIC STRENGTH BETWEEN	OPEN CONTACT	1500 VAC		2000 VAC	
	COIL TO CONTACT	2000 VAC			
INSULATION RESISTANCE AT 500 VDC AT 27°C & 65% RH		500 MΩ			
OPERATE TIME (MAX)		20 ms			
RELEASE TIME (MAX)		10 ms			
AMBIENT TEMPERATURE		-25°C To +55°C			
IMPULSE WITHSTAND VOLTAGE (AS PER IEC 60255-5)		5KV 1.2/50 μS.			
ELECTRICAL LIFE (NO OF OPERATIONS)		10 ⁵			
MECHANICAL LIFE (NO OF OPERATIONS)		10 ⁷			
ALL DIMENSIONS ARE IN MM (W X L X H)		37 x 37 x 68			
MAX WEIGHT IN GRAMS		75 gms (approx)			
INBUILT FEATURE		LED			
OPTIONAL FEATURES		DIODE			
STANDARDS		IEC 61810-1, IEC 60255-5 meeting as per JSS 50711 and JSS 50101			



SALIENT FEATURES

- High Reliability
- Elegant / Sturdy and Light weight
- ARC Suppressor (HMPC)
- Dust Protected
- Excellent Isolation
- Medium Power Sources
- Compact High Performance
- Din Rail Socket Available

APPLICATIONS

- | | | |
|---------------------------|--|----------------------------------|
| • Machine Tools | • Bio-medical Instruments & Appliances | • Inverters |
| • Control Panels | • Uninterrupted Power Supplies | • Industrial controls |
| • Temperature controllers | • Process Control Systems | • Circuit Breakers |
| • Stabilizers | • Electrical Equipment's Appliances | • High voltage DC Panels/ Motors |
| • Textile Machines | • Automation & Remote Control Systems | • Scada Applications |
| • Battery Chargers | | |

NOTE :-

- 1) Recommended socket :- For MPC 2C is RS 8E , For MPC 3C is RS 11E
- 2) All Specification / Dimensions subject to Tolerance
- 3) Gold plated contacts available with extra charges
- 4) Relay with Arc suppressor (HMPC & HHPC) Available in 5A / 10A / 12A / 16A @220VDC / 240VAC with 2 Changeover (2C) contact
- 5) Any techno commercial changes is / are prerogative of manufacturer / management of the company which can be done without any notice



COIL – DATA (5A / 10A) (MPC / HMPC) (ALL VALUES AT 27°C ± 2°AMBIENT, COLD START)

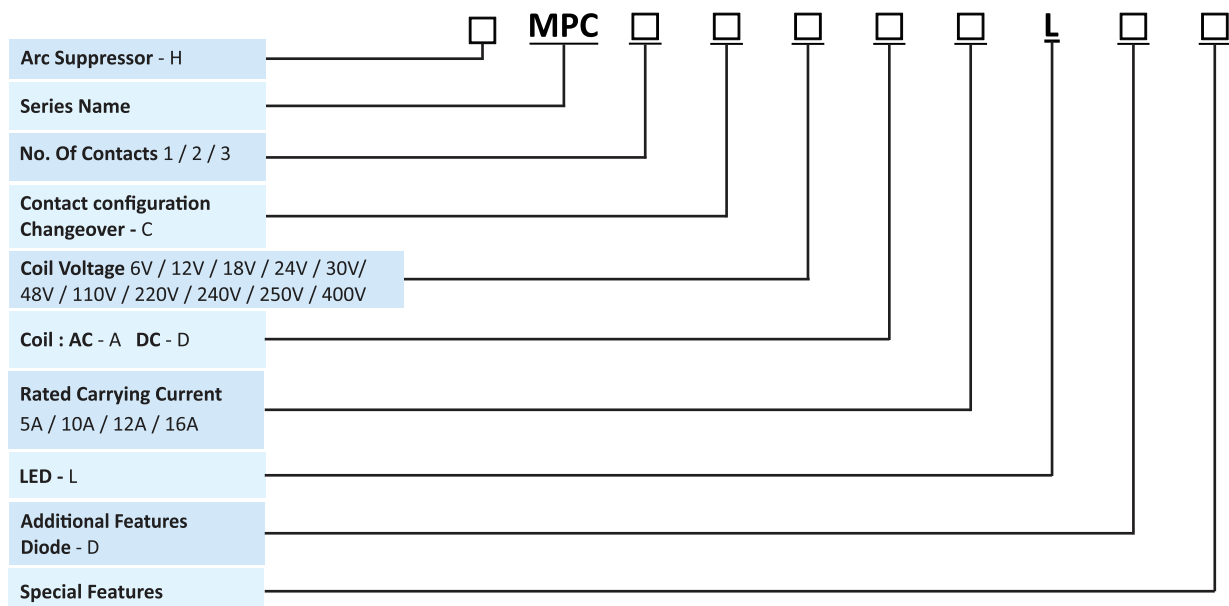
NOMINAL VOLTAGE (V)	RESISTANCE IN OHM'S ± 10%		MUST OPERATE VOLTAGE (V)	MUST RELEASE VOLTAGE (V)	OPERATING POWER FOR COIL	
	DC RELAY	AC RELAY			DC (W)	AC (VA)
6	30	7	4.8	0.6	1.20	2.06
12	1C	200	30	9.6	1.2	1.92
	2C	200	30	9.6	1.2	-
	3C	150	30	9.6	1.2	0.96
18	390	-	14.4	1.8	0.83	-
24	500	110	19.2	2.4	1.15	2.09
48	2.25k	440	38.4	4.8	1.02	2.09
110	10k	2.4k	88	11	1.21	2.02
220	40k	-	176	22	1.21	-
240	-	9.5k	192	24	-	2.43
250	50k	-	200	25	1.25	-
400	-	27k	320	40	-	2.37

HMPC & HHPC Relay Available (MPC with Arc Suppressor)

COIL – DATA (12A / 16A) (HPC) (ALL VALUES AT 27°C ± 2°AMBIENT, COLD START)

NOMINAL VOLTAGE (V)	RESISTANCE IN OHM'S ± 10%		MUST OPERATE VOLTAGE (V)	MUST RELEASE VOLTAGE (V)	OPERATING POWER FOR COIL	
	DC RELAY	AC RELAY			DC (W)	AC (VA)
6	30	4	4.8	0.6	1.20	3.60
12	120	16	9.6	1.2	1.20	3.60
18	270	-	14.4	1.8	1.20	-
24	480	70	19.2	2.4	1.20	3.29
48	1.9k	2k	38.4	4.8	1.21	-
110	10k	-	88	11	1.21	2.42
220	40k	-	176	22	1.21	-
240	-	9.5k	192	24	-	2.43
250	-	-	-	-	-	-
400	-	27k	320	40	-	2.37

ORDERING CODE FOR RELAY



+91 22 25106104/05



+91 7045459530

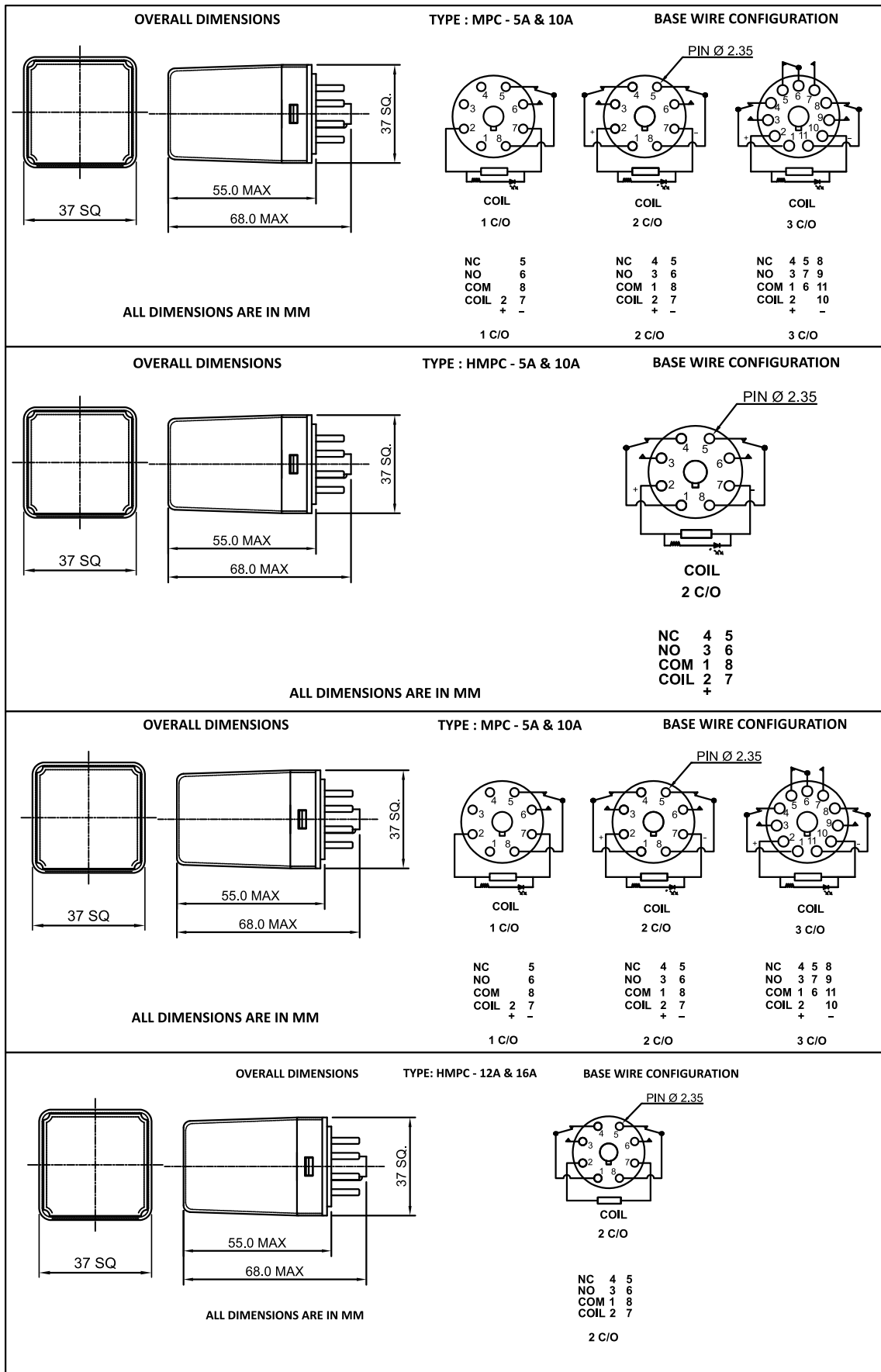


sales@plarelays.com



www.plarelays.com

OVERALL DIMENSIONS



NOTE :- 1) In case no tolerance shown in outline dimensions : Outline dimension 1mm, tolerance should be ± 0.2 mm
Outline dimension 1mm and 5mm, tolerance should be ± 0.3 mm Outline dimension 5mm tolerance should be ± 0.4 mm
2) The tolerance without indicating for PCB layout is always ± 0.2 mm

