

FEATURES

- Available in 4/8/16 Channels
- Coil Voltage 5/12/24V DC
- Switching Current 10 A at 125 VAC (NO), 3 A at 250 VAC (NO), 5 A at 30 VDC (NO), 3 A at 125 VAC (NC), 3 A at 30 VDC (NC)
- Freewheeling Diode across relay coil for protection
- Jumpers are provided for Selection between positive/ negative looping.
- LED indication to denote relay actuation.
- Available with Pluggable relays, directly soldered on request.
- Available with fully sealed relays.
- Mountable on Universal DIN Rail.

TECHNICAL INFORMATION

GENERAL DATA	
Number of Channels	4/8/16 channels other than specified are available on request.
Positive/Negative looping	By using Jumper caps, Remove all Jumper caps to make relay independent
Input indication	3mm green LED for input status
Relay protection	Freewheeling diode 1N4007 across relay coil
Relay Socket	Paramount or equivalent
Ambient operating temperature	0°C to 50°C
Housing material	PVC/VO Grade, Phoenix Contact or equivalent
Housing color	Green
Conformal coating	Insulate, protect and seal electronic parts, available on request
RoHS compliant	All the components used including PCBs are RoHS approved

RELAY DATA	
Relay make	OMRON G5Q Series
Contact type	1 C/O (SPDT)
Relay approvals	UL, CSA, VDE, CQC

COIL DATA			
Rated coil voltage	5V DC	12V DC	24V DC
Coil resistance (Ohms)	63	360	1440
Rated coil current (mA)	80 mA	33.3 mA	16.7 mA
Must operate voltage	75% max. of rated voltage		
Must release voltage	5% min. of rated voltage		
Maximum voltage	130% of rated voltage (at 85°C)		
Power consumption (mW)	Approx. 400 mW	Approx. 400 mW	Approx. 400 mW

RELAY CONTACT DATA	
Contact material	Ag-alloy (Cd free)
Rated load	10 A at 125 VAC (NO) 3 A at 250 VAC (NO) 5 A at 30 VDC (NO) 3 A at 125 VAC (NC) 3 A at 30 VDC (NC)
Max. switching voltage	277 VAC, 30 VDC
Contact resistance	100 mΩ max.
Operate time	10 ms max.
Release time	5 ms max
Insulation resistance	1,000 MΩ min. (at 500 VDC)
Di-electric strength between coil and contact	4,000 VAC, 50/60 Hz for 1 min between coil and contacts 1000 VAC, 50/60 Hz for 1 min between contacts of same polarity
Maximum mechanical operating frequency	10,000,000 operations (18,000 operations per hour)
Maximum electrical operating frequency	200,000 operations: 3 A (NO)/3 A (NC) at 125-VAC resistive load 100,000 operations: 3 A (NO)/3 A (NC) at 250 VAC : 5 A (NO)/3 A (NC) at 30-VDC resistive load 50,000 operations: 10 A (NO) at 125-VAC (900 operations per hour)
Mechanical life expectancy	10,000,000 operations

Electrical life expectancy	200,000 operations: 3 A (NO)/3 A (NC) at 125-VAC resistive load 100,000 operations: 3 A (NO)/3 A (NC) at 250 VAC : 5 A (NO)/3 A (NC) at 30-VDC resistive load 50,000 operations : 10 A (NO) at 125-VAC (900 operations per hour)
----------------------------	---

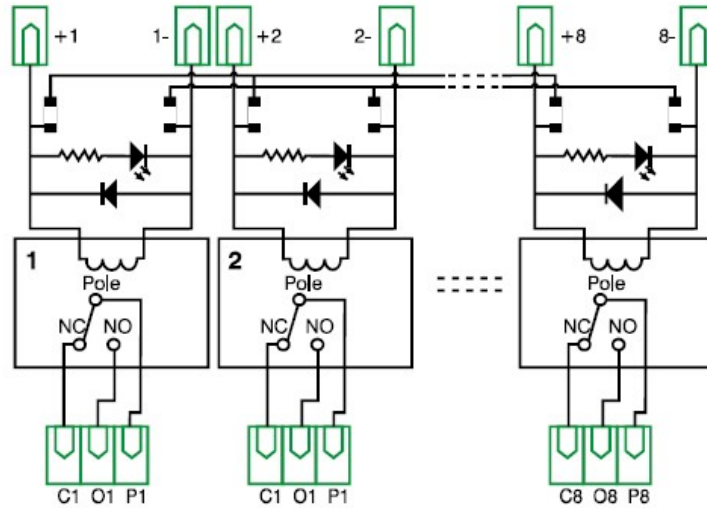
CONNECTION DATA	
Input (Coil) Side	PCB Terminals Screw (Nominal current: 24A, Rated voltage: 250V, Type of connection: Screw connection)
Output (Contact Side)	PCB Terminals Screw (Nominal current: 24A, Rated voltage: 250V, Type of connection: Screw connection)
Cross section of permissible wire	Solid Min / Max: 0.2 / 4.0 mm ² Stranded Min / Max: 0.2 / 2.5 mm ²
Make	Phoenix Contact or equivalent

ORDERING INFORMATION

1C/0 24V DC

Article Nos.	Descriptions	Dimension LxWxH (mm)
11100587	AE-04-024D-1-B-C/G5Q	66 X 90 X 60
11100586	AE-08-024D-1-B-C/G5Q	127 X 90 X 60
11100588	AE-16-024D-1-B-C/G5Q	252 X 90 X 60

CIRCUIT DIAGRAM



LAYOUT DIAGRAM

