

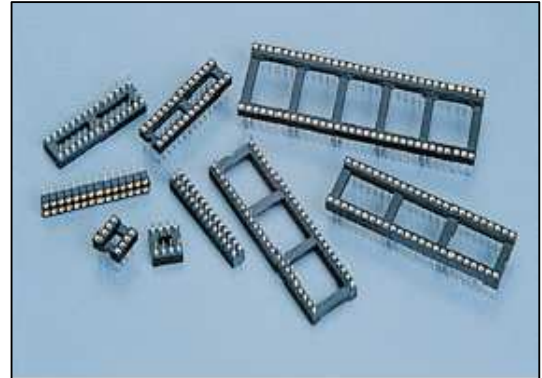


PROTECTRON ELECTROMECH (P) LTD

DESCRIPTION : IC SOCKET DUAL-IN-LINE 2.54mm PITCH,

PART NO: P8051-XX-XX
(REFER TABLE)

RoHS



PHYSICAL

INSULATION

MATERIAL	:	GLASS FILLED THERMOPLASTIC SELF EXTINGUISHING
FLAMMABILITY	:	UL94V-0
COLOR	:	BLACK

CONTACT

OUTER SLEEVE	:	SCREW MACHINED, BRASS, GOLD PLATED OR 5µ TIN-LEAD PLATED OVER NICKEL.
INNER CLIP	:	BERYLLIUM-COPPER, GOLD PLATED

PACKAGING TYPE

: TUBE/TRAY

ELECTRICAL

CURRENT RATING	:	1A
INSULATION RESISTANCE	:	10000M OHMS @ 500V DC(Min)
RATED VOLTAGE	:	100V AC
CONTACT RESISTANCE	:	10m OHMS MAX
VOLTAGE PROOF	:	1000V RMS MIN

MECHANICAL DATA

MECHANICAL LIFE	:	50 CYCLES MIN
INSERTION FORCE	:	<2N (<0.2Kg.) WITH STEEL PIN DIA 0.41
EXTRACTION FORCE	:	>0.5N (0.05Kg.) WITH STEEL PIN DIA 0.41

ENVIRONMENTAL DATA

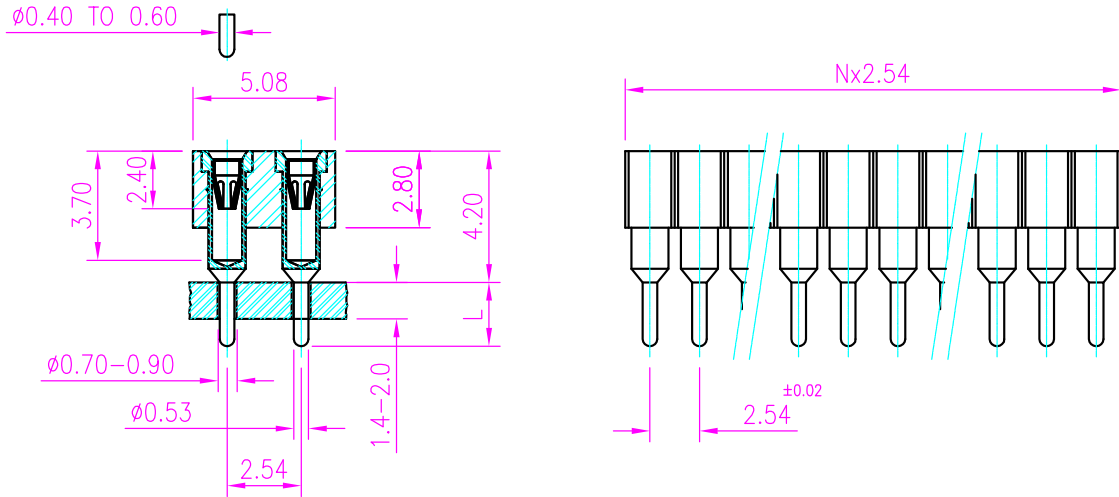
TEMPERATURE RANGE	:	-65° TO +125°C
RESISTANCE TO SOLDERING HEAT	:	+260°C, 10 Sec.



PROTECTRON ELECTROMECH (P) LTD

DESCRIPTION : IC SOCKET DUAL-IN-LINE 2.54mm PITCH,

PART NO: P8051-XX-XX
(REFER TABLE)



ORDERING INFORMATION

P8051-XX-XX

NO OF CONTACTS
(02-80)

X TYPE OF PINS(L)	X PLATING	
	INNER CLIP	OUTER SLEEVE
1=PC PIN 3.2mm 2=PC PIN 4.2mm	1=0.25 μ Au	5 μ Sn

A	ORIGINAL	SAMSON	05.08.2001		
REV.	DESCRIPTION		DRN. BY	DATE	CK'ED BY APP'D BY
Projection: 		Scale: NTS	Sht. Size: A4	Gen. Tol.: ±0.35mm	ALL DIMENSIONS ARE IN MM. IF UNLESS OTHERWISE SPECIFIED.



PROTECTRON ELECTROMECH (P) LTD

DESCRIPTION : IC SOCKET DUAL-IN-LINE 0.3" PITCH,
OPEN FRAME

PART NO: P8053-XX-XX
(REFER TABLE)

RoHS



PHYSICAL

INSULATION

MATERIAL	:	GLASS FILLED THERMOPLASTIC SELF EXTINGUISHING
FLAMMABILITY	:	UL94V-0
COLOR	:	BLACK

CONTACT

OUTER SLEEVE	:	SCREW MACHINED, BRASS, GOLD PLATED OR 5μ TIN-LEAD PLATED OVER NICKEL.
INNER CLIP	:	BERYLLIUM-COPPER, GOLD PLATED

PACKAGING TYPE

: TUBE/TRAY

ELECTRICAL

CURRENT RATING	:	1A
INSULATION RESISTANCE	:	5000M OHMS @ 500V DC(Min)
RATED VOLTAGE	:	100V AC
CONTACT RESISTANCE	:	20m OHMS MAX
VOLTAGE PROOF	:	600V AC

MECHANICAL DATA

MECHANICAL LIFE	:	50 CYCLES MIN
INSERTION FORCE	:	<2N (<0.2Kg.) WITH STEEL PIN DIA 0.41
EXTRACTION FORCE	:	>0.5N (0.05Kg.) WITH STEEL PIN DIA 0.41

ENVIRONMENTAL DATA

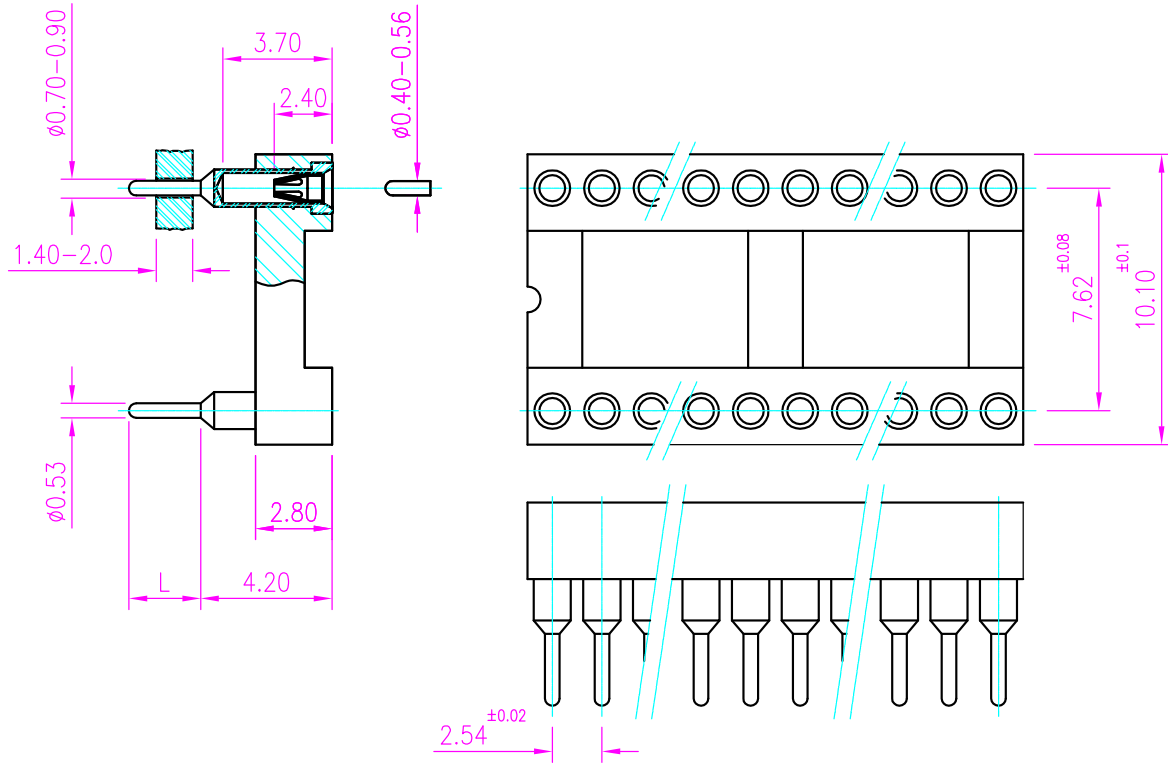
TEMPERATURE RANGE	:	-65° TO +125°C
RESISTANCE TO SOLDERING HEAT	:	+260°C, 10 Sec.



PROTECTRON ELECTROMECH (P) LTD

DESCRIPTION : IC SOCKET DUAL-IN-LINE 0.3" PITCH,
OPEN FRAME

PART NO: P8053-XX-XX
(REFER TABLE)



ORDERING INFORMATION

P8053-XX-XX

XX=NO OF CONTACTS	TYPE OF PIN (L)		INNER CLIP	OUTER SLEEVE	
06	PC PIN 3.2mm	1	0.25μ Au	5μ Sn	1
08	PC PIN 3.2mm	1	0.75μ Au	5μ Sn	2
10	PC PIN 4.2mm	2	5μ Sn	5μ Sn	3
14			0.75μ Au	0.25μ Au	4
16					
18					
20					
22					
24					
28					

A1	DRAWING IS REDRAWN	SAMSON	05.04.2001		
A	ORIGINAL	GK	29.08.2000		
REV.	DESCRIPTION	DRN. BY	DATE	CK'ED BY	APP'D BY



Scale: NTS

Sht. Size: A4

Gen. Tol.: ±0.35mm

ALL DIMENSIONS ARE IN MM.
IF UNLESS OTHERWISE SPECIFIED.

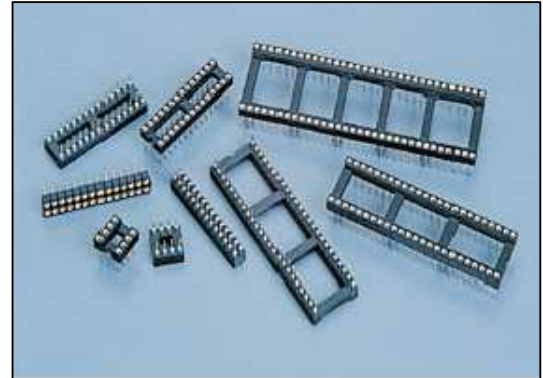


PROTECTRON ELECTROMECH (P) LTD

DESCRIPTION : IC SOCKET DUAL-IN-LINE 0.4" PITCH,
OPEN FRAME

PART NO: P8054-22-XX
(REFER TABLE)

RoHS



PHYSICAL

INSULATION

MATERIAL	:	GLASS FILLED THERMOPLASTIC SELF EXTINGUISHING
FLAMMABILITY	:	UL94V-0
COLOR	:	BLACK

CONTACT

OUTER SLEEVE	:	SCREW MACHINED, BRASS, GOLD PLATED OR 5 μ TIN-LEAD PLATED OVER NICKEL.
INNER CLIP	:	BERYLLIUM-COPPER, GOLD/TIN PLATED

PACKAGING TYPE

: TUBE/TRAY

ELECTRICAL

CURRENT RATING	:	1A
INSULATION RESISTANCE	:	5000M OHMS @ 500V DC(Min)
RATED VOLTAGE	:	100V AC
CONTACT RESISTANCE	:	20m OHMS MAX
VOLTAGE PROOF	:	600V AC

MECHANICAL DATA

MECHANICAL LIFE	:	50 CYCLES MIN
INSERTION FORCE	:	<2N (<0.2Kg.) WITH STEEL PIN DIA 0.41
EXTRACTION FORCE	:	>0.5N (0.05Kg.) WITH STEEL PIN DIA 0.41

ENVIRONMENTAL DATA

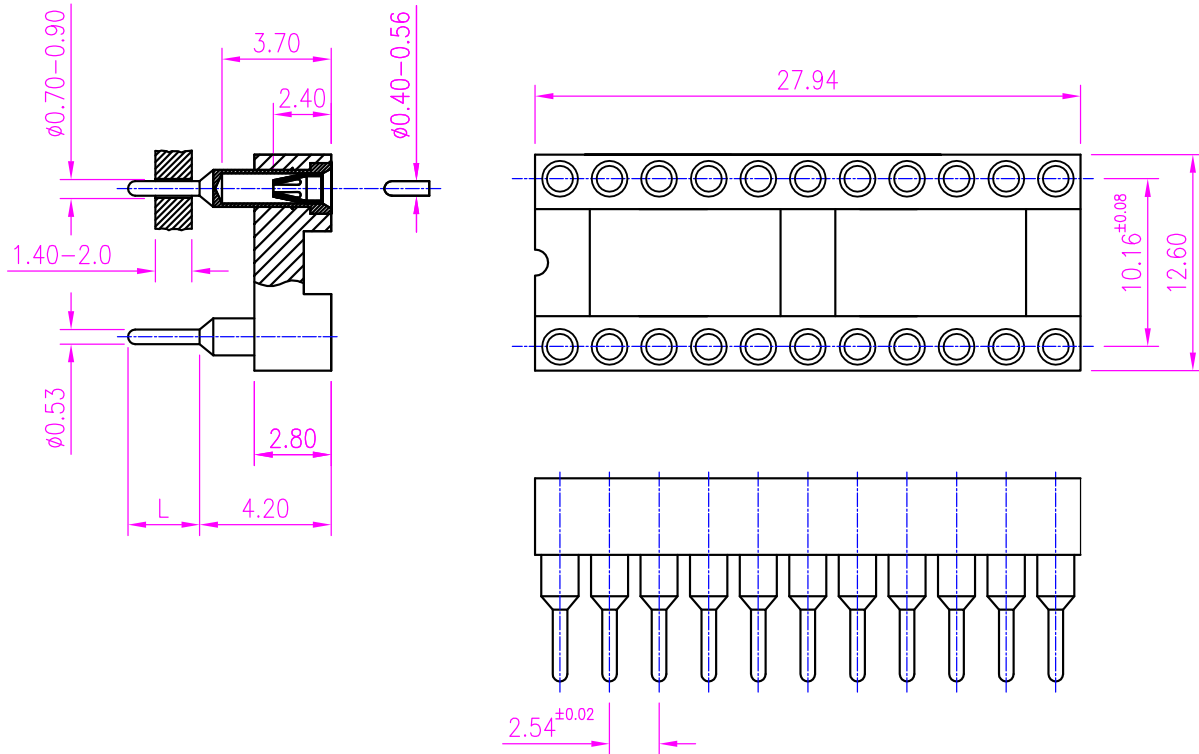
TEMPERATURE RANGE	:	-65° TO +125°C
RESISTANCE TO SOLDERING HEAT	:	+260°C, 10 Sec.



PROTECTRON ELECTROMECH (P) LTD

DESCRIPTION : IC SOCKET DUAL-IN-LINE 0.4" PITCH,
OPEN FRAME

PART NO: P8054-22-XX
(REFER TABLE)



ORDERING INFORMATION

P8054-22-XX

TYPE OF PIN (L)		INNER CLIP	OUTER SLEEVE	
PC PIN 3.2mm	1	0.25 μ Au	5 μ Sn	1
PC PIN 4.2mm	2	0.75 μ Au	5 μ Sn	2
		5 μ Sn	5 μ Sn	3
		0.75 μ Au	0.25 μ Au	4

A	ORIGINAL	SACHIN	26.05.2003			
REV.	DESCRIPTION		DRN. BY	DATE	CK'ED BY	APP'D BY
Projection: 		Scale: NTS	Sht. Size: A4	Gen. Tol.: ± 0.35 mm	ALL DIMENSIONS ARE IN MM. IF UNLESS OTHERWISE SPECIFIED.	

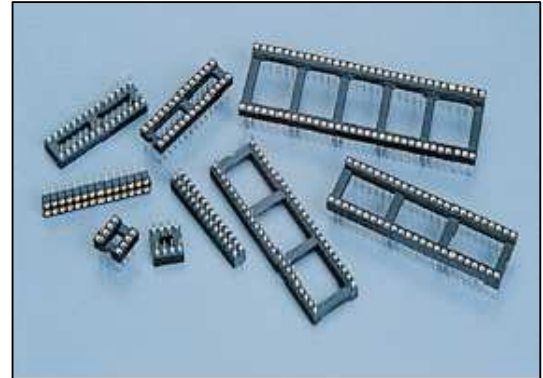


PROTECTRON ELECTROMECH (P) LTD

**DESCRIPTION : IC SOCKET DUAL-IN-LINE 0.6" PITCH,
OPEN FRAME**

**PART NO: P8056-XX-XX
(REFER TABLE)**

RoHS



PHYSICAL

INSULATION

MATERIAL	:	GLASS FILLED THERMOPLASTIC SELF EXTINGUISHING
FLAMMABILITY	:	UL94V-0
COLOR	:	BLACK

CONTACT

OUTER SLEEVE	:	SCREW MACHINED, BRASS, GOLD PLATED OR 5µ TIN-LEAD PLATED OVER NICKEL.
INNER CLIP	:	BERYLLIUM-COPPER, GOLD PLATED

PACKAGING TYPE

: TUBE/TRAY

ELECTRICAL

CURRENT RATING	:	1A
INSULATION RESISTANCE	:	5000M OHMS @ 500V DC(Min)
RATED VOLTAGE	:	100V AC
CONTACT RESISTANCE	:	20m OHMS MAX
VOLTAGE PROOF	:	600V AC

MECHANICAL DATA

MECHANICAL LIFE	:	50 CYCLES MIN
INSERTION FORCE	:	<2N (<0.2Kg.) WITH STEEL PIN DIA 0.41
EXTRACTION FORCE	:	>0.5N (0.05Kg.) WITH STEEL PIN DIA 0.41

ENVIRONMENTAL DATA

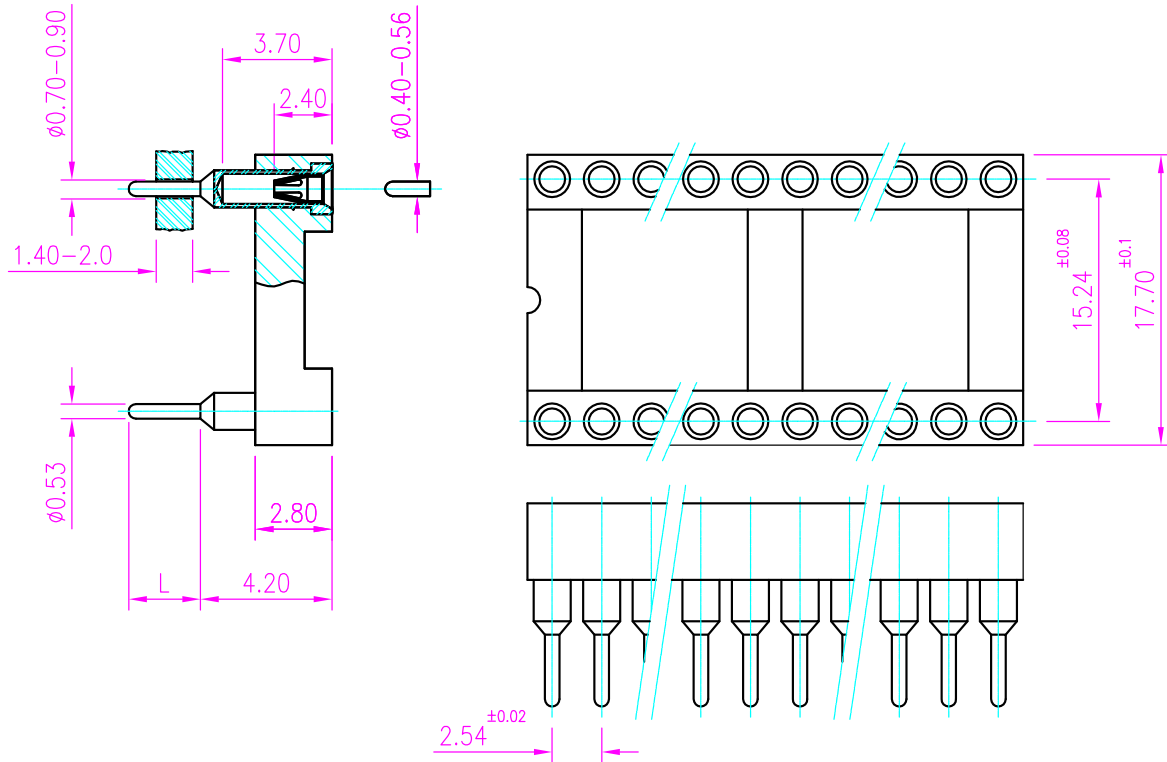
TEMPERATURE RANGE	:	-65° TO +125°C
RESISTANCE TO SOLDERING HEAT	:	+260°C, 10 Sec.



PROTECTRON ELECTROMECH (P) LTD

DESCRIPTION : IC SOCKET DUAL-IN-LINE 0.6" PITCH,
OPEN FRAME

PART NO: P8056 -XX-XX
(REFER TABLE)



ORDERING INFORMATION

P8056-XX-XX

XX=NO OF CONTACTS
24
28
32
36
40
42
48
50
52

TYPE OF PIN (L)	
PC PIN 3.2mm	1
PC PIN 4.2mm	2

INNER CLIP	OUTER SLEEVE	
0.25μ Au	5μ Sn	1
0.75μ Au	5μ Sn	2
5μ Sn	5μ Sn	3
0.75μ Au	0.25μ Au	4

A	ORIGINAL	SAMSON	05.04.2001			
REV.	DESCRIPTION		DRN. BY	DATE	CK'ED BY	APP'D BY



Scale: NTS

Sht. Size: A4

Gen. Tol.: ±0.35mm

ALL DIMENSIONS ARE IN MM.
IF UNLESS OTHERWISE SPECIFIED.

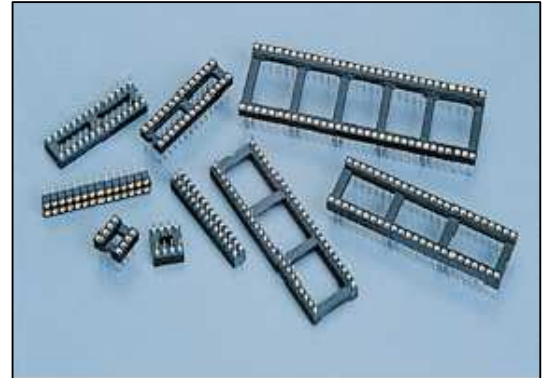


PROTECTRON ELECTROMECH (P) LTD

DESCRIPTION : IC SOCKET DUAL-IN-LINE 0.9" PITCH,
OPEN FRAME

PART NO: P8059-XX-XX
(REFER TABLE)

RoHS



PHYSICAL

INSULATION

MATERIAL : GLASS FILLED THERMOPLASTIC SELF EXTINGUISHING
FLAMMABILITY : UL94V-0
COLOR : BLACK

CONTACT

OUTER SLEEVE : SCREW MACHINED, BRASS, GOLD PLATED
OR 5 μ TIN-LEAD PLATED OVER NICKEL.
INNER CLIP : BERYLLIUM-COPPER, GOLD PLATED

PACKAGING TYPE

: TUBE/TRAY

ELECTRICAL

CURRENT RATING : 1A
INSULATION RESISTANCE : 5000M OHMS @ 500V DC(Min)
RATED VOLTAGE : 100V AC
CONTACT RESISTANCE : 20m OHMS MAX
VOLTAGE PROOF : 600V AC

MECHANICAL DATA

MECHANICAL LIFE : 50 CYCLES MIN
INSERTION FORCE : <2N (<0.2Kg.) WITH STEEL PIN DIA 0.41
EXTRACTION FORCE : >0.5N (0.05Kg.) WITH STEEL PIN DIA 0.41

ENVIRONMENTAL DATA

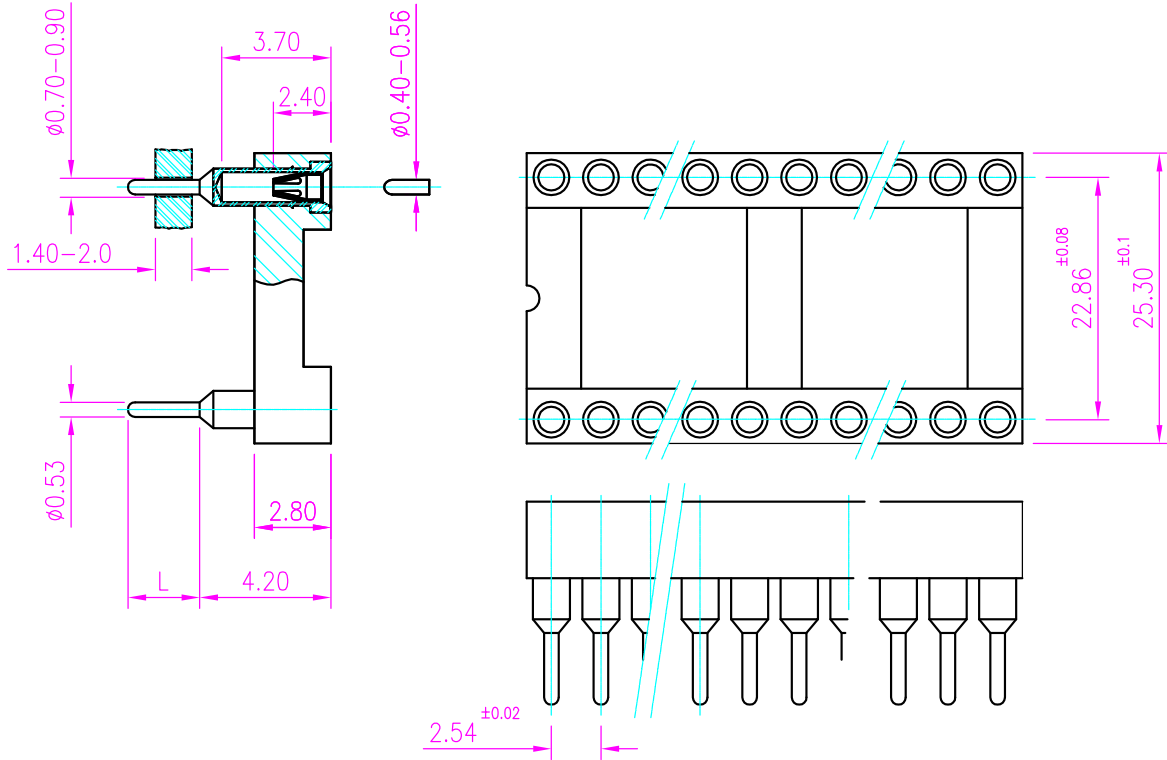
TEMPERATURE RANGE : -65° TO +125°C
RESISTANCE TO SOLDERING HEAT : +260°C, 10 Sec.



PROTECTRON ELECTROMECH (P) LTD

DESCRIPTION : IC SOCKET DUAL-IN-LINE 0.9" PITCH,
OPEN FRAME

PART NO: P8059-XX-XX
(REFER TABLE)



ORDERING INFORMATION

P8059-XX-XX

XX=NO OF CONTACTS
50
52
64

TYPE OF PIN (L)	
PC PIN 3.2mm	1
PC PIN 4.2mm	2

INNER CLIP	OUTER SLEEVE	
0.25 μ Au	5 μ Sn	1
0.75 μ Au	5 μ Sn	2
5 μ Sn	5 μ Sn	3
0.75 μ Au	0.25 μ Au	4

REV.	DESCRIPTION	DRN. BY	DATE	CK'ED BY	APP'D BY
A	ORIGINAL	SAMSON	05.04.2001		

Projection: 	Scale: NTS	Sht. Size: A4	Gen. Tol.: ± 0.35 mm	ALL DIMENSIONS ARE IN MM. IF UNLESS OTHERWISE SPECIFIED.
-----------------	------------	---------------	--------------------------	---